



PRODUCT DESCRIPTION:

- o High speed servo operator use full closed-loop servo control and double encoder design, this is to ensure long operating life and to prevent overheating during operation
- o Stability: Servo operator utilizes integrated design concept in order to simplify internal wiring and to prevent malfunction caused by wiring and terminal connections
- o High Speed: Motor max speed is 2500 rpm ; door max operating speed is 1 m / 0.8 s
- o Custom-made: Each system with operating control order and mode can be custom made to suit each door, to ensure max operating condition. The system has a unique order and more memory mode and one key recovery mode.
- o Safety : The system has a build in emergency stop signal and control order. The motor can be activated within 30 millisecond after receiving the order ,to ensure maximum safety.
- o High usage : The system applicable for continuous high usage and it can be applied to high frequency high speed passage ways.



HIGH SPEED DOOR SERVO OPERATOR



RECOMMENDED ACCESSORIES:



AZ MRS 68
Microwave Sensor



AZ RFPC 43 15M
Reflector Photocell



AZ RFPC 41 7M
IP Reflector Photocell



AZ LSEC 46
Series Light Curtain Sensor



AZ LB 33
Loop Detector



AZ HSD BES 64
Safety Edge Sensor



AZ PB 16 A
Push Button



AZ PB IP 65
Water Proof Push
Button



AZ SLD TLS 73
Wired Touch
less Sensor



AZ AF LAC 19A
Alarm Flash Lamp

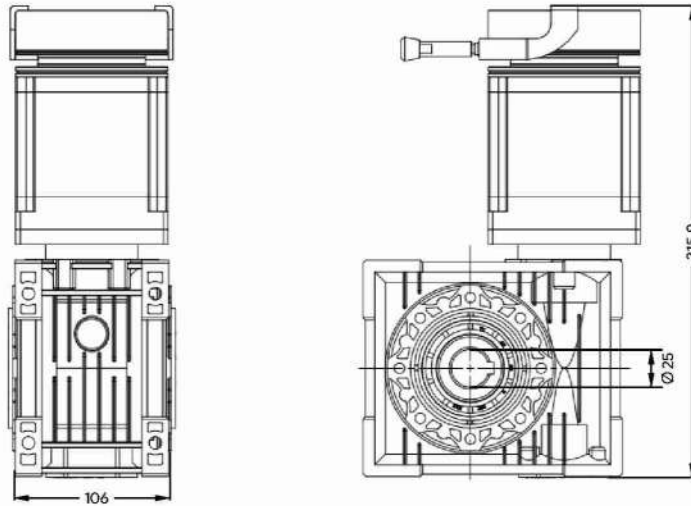


AZ SL 12
Signal Light



AZ ML 13
Manual Lock

MACHINE CORE STRUCTURE:



OPTIONAL INTEGRATION:



FACE
RECOGNITION



FINGER
PRINT



RFID



QR CODE



PASSWORD



SAFETY
DEVICES

TECHNICAL SPECIFICATIONS:

MODEL	Voltage	POWER (KW)	CURRENT (A)	SPEED (R/MIN)	TORQUE (Nm)	GEAR RATIO	OUTPUT SPEED (r/Min)	OUTPUT TORQUE (Nm)	SHAFT DIA METER (MM)	MAX CYCLE PER HOUR
AZHSDSM131	220 V - 240 V AC	0.75	3.5 A	1500	4.75	1:15	30 - 200	40	$\varnothing 25$	60
AZHSDSM132	220 V - 240 V AC	1.5	3.5 A	1500	9.55	1:15	30 - 100	60	$\varnothing 25$	60
AZHSDSM133	220 V - 240 V AC	2.2	6 A	1500	14	1:15	30 - 300	86	$\varnothing 25$	60